

Latch type toggle clamps

with trigger function

SPECIFICATION

Type

- Type **T2S**: for welding

Codings

- Coding **1**: with bore for gear lever handle
- Coding **2**: with clamping arm

Clamping bearing / clamping arm
Steel

- forged
- weldable
- blank

U-bolt latch / bearing pins

Steel St 37
blank

Catch

Sheet metal steel
blank



INFORMATION

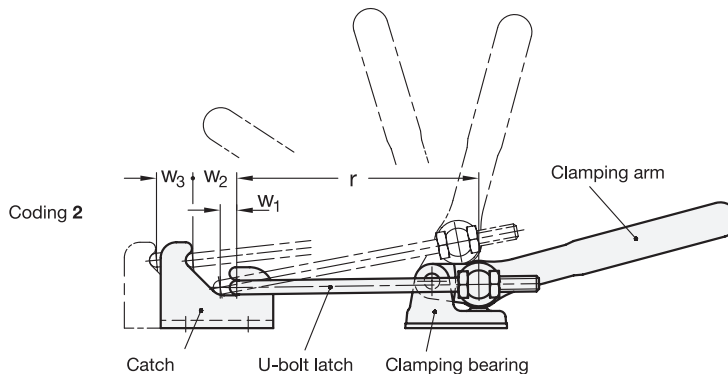
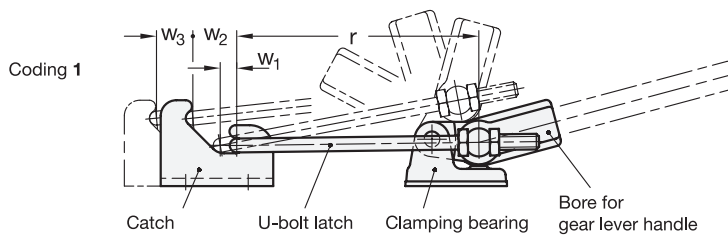
The outstanding feature of GN 854 latch type toggle clamps is their highly robust, sturdy and compact design, allowing their use under demanding conditions, e.g. exposure to high temperatures, dust, spray mist, etc.

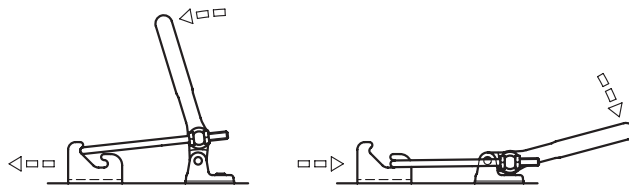
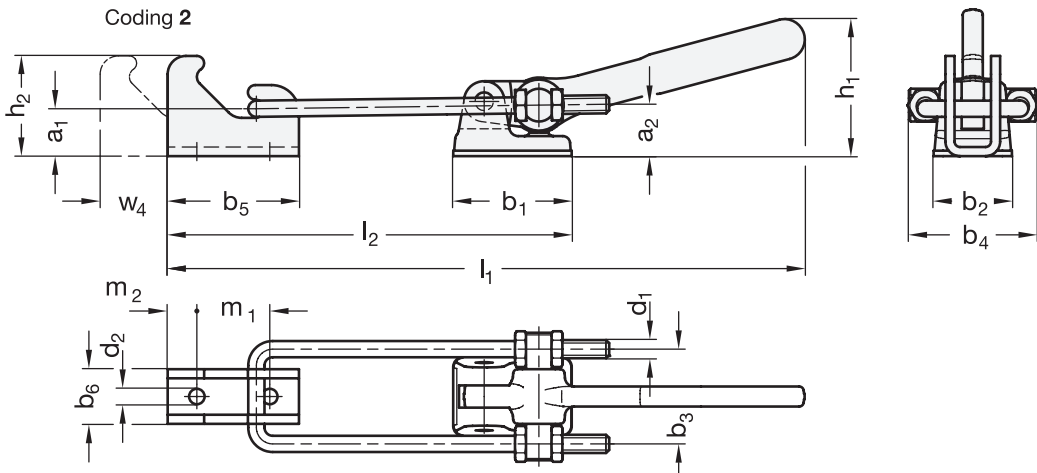
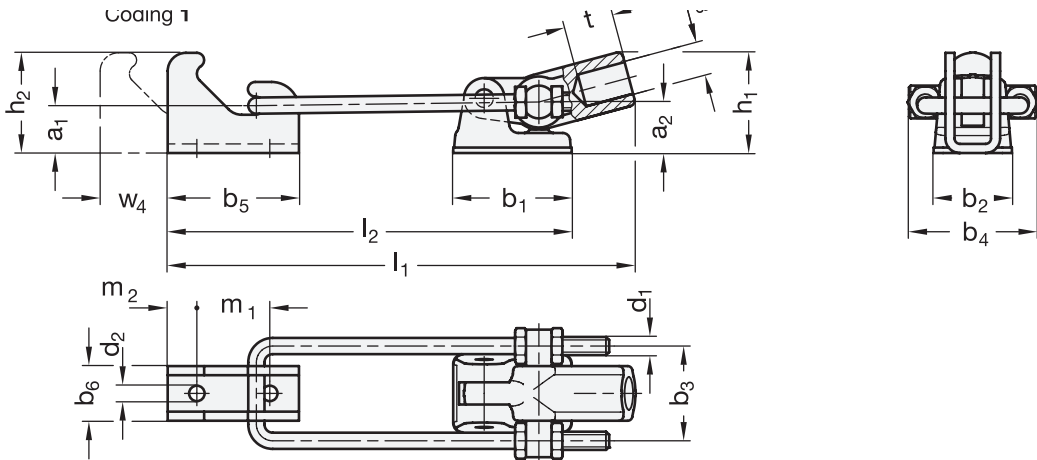
The specially designed catch allows the forced loosening of the clamping by the clamping arm moving the U-bolt latch forward, e.g. for separating mould halves.

Latch type toggle clamps with bore (coding 1) are operated with a gear lever handle which is plugged into the latch and pulled off after operation. This saves space and has the added advantage that the gear lever handle is not exposed to adverse ambient conditions, e.g. becoming too hot to operate. The gear lever handle is not included in the delivery.

The catch can also be attached using screws or bolts.

If required, clamps and U-bolt latches are also available as separate parts; for replacement, the bearing pin is easily dismantled.





GN 854

Description	Size	FH	N	a1	a2	b1	b2	b3	b4	b5	b6	d1	d2	d3	h1	h2	l1	l2	m1	m2	r	t	w1	w2	w3	w4	≈	⚖
GN 854-1500-1-T2S	1500	15000		26	28	65	43	52	70	72	30	M10	8.5	18	55	55	220	186	40	16	120	30	10.5	28	25	40	1200	
GN 854-1500-2-T2S	1500	15000		26	28	65	43	52	70	72	30	M10	8.5	-	81	55	334	186	40	16	120	-	10.5	28	25	40	1331	